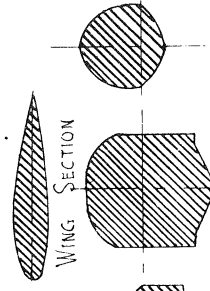
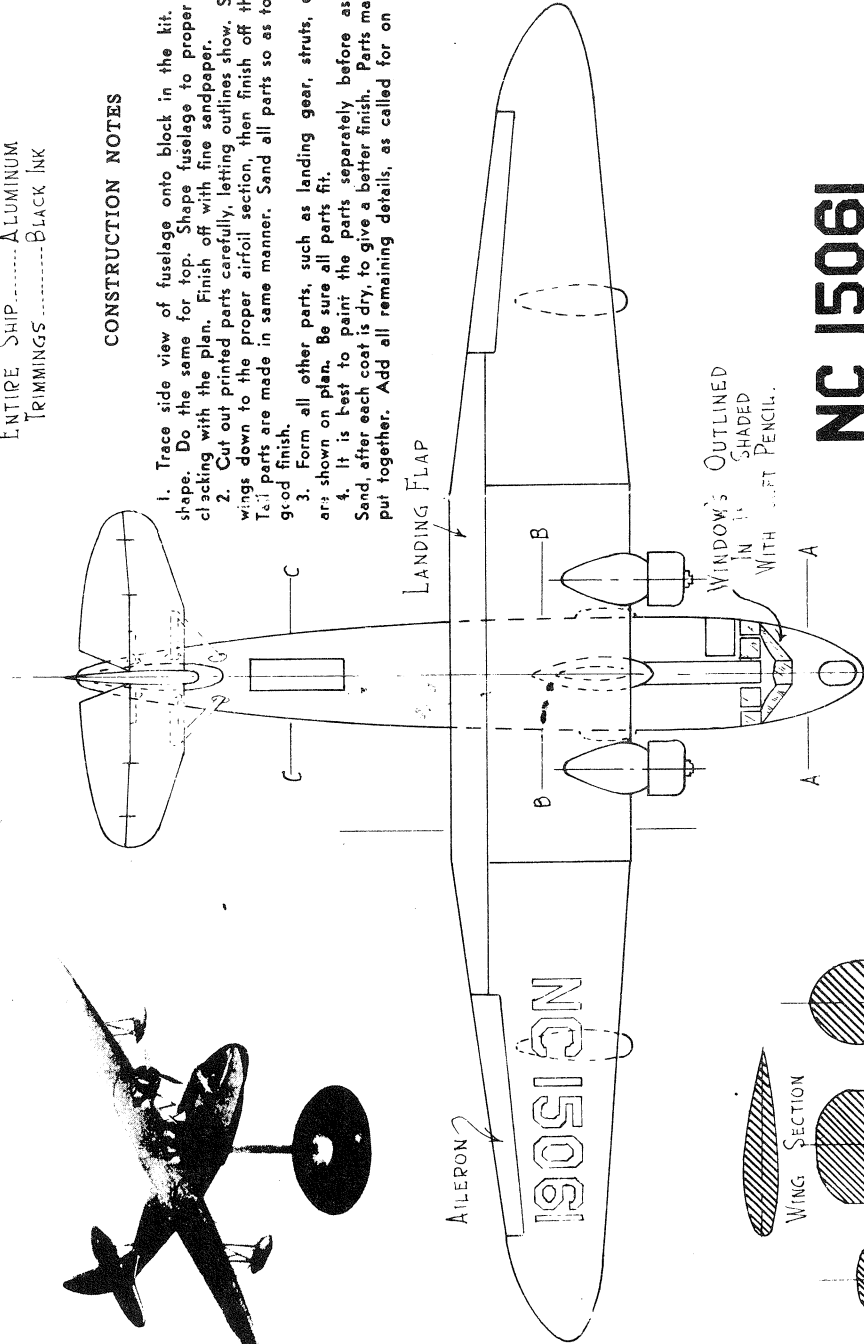
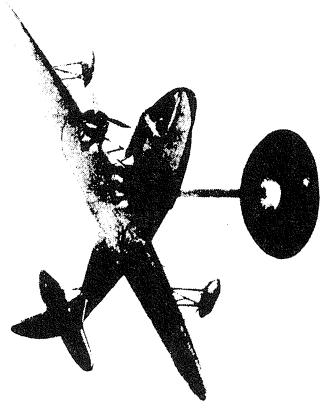


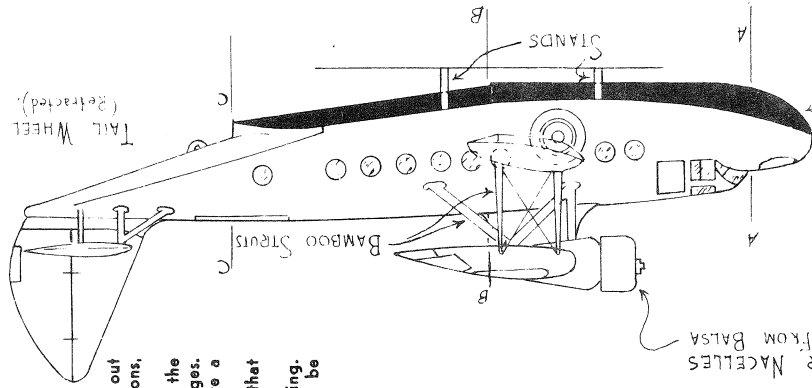
ENTIRE SHIP.....ALUMINUM  
TRIMMINGS.....BLACK INK



**NC 15061**  
**NC 15061**

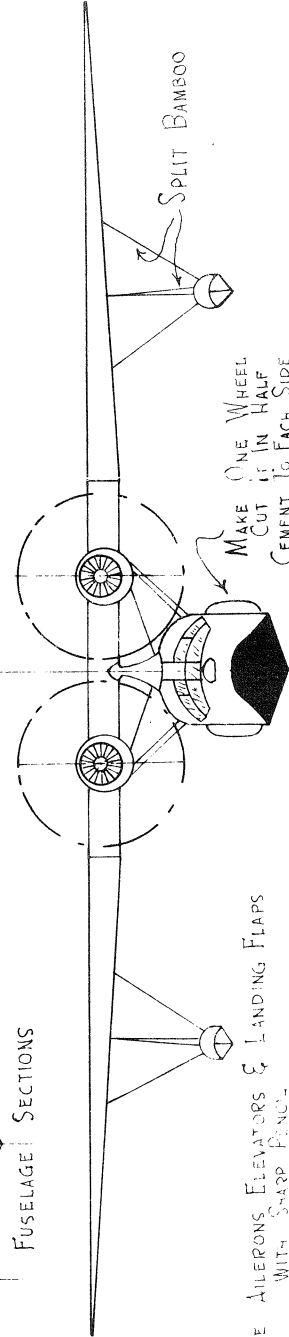
**CONSTRUCTION NOTES**

1. Trace side view of fuselage onto block in the kit. Cut out shape. Do the same for top. Shape fuselage to proper sections, checking with the plan. Finish off with fine sandpaper.
2. Cut out printed parts carefully, letting outlines show. Shape the wings down to the proper airfoil section, then finish off the edges. Tail parts are made in same manner. Sand all parts so as to insure a good finish.
3. Form all other parts, such as landing gear, struts, etc., that are shown on plan. Be sure all parts fit.
4. It is best to paint the parts separately before assembling. Sand, after each coat is dry, to give a better finish. Parts may now be put together. Add all remaining details, as called for on plan.



MOTOR NACELLES  
TURNED FROM BALSAs

PAINT Hull, Black  
ON BOTTOM



SCRIBE AILERONS, ELEVATORS & LANDING FLAPS  
WITH SHARP PENCIL.