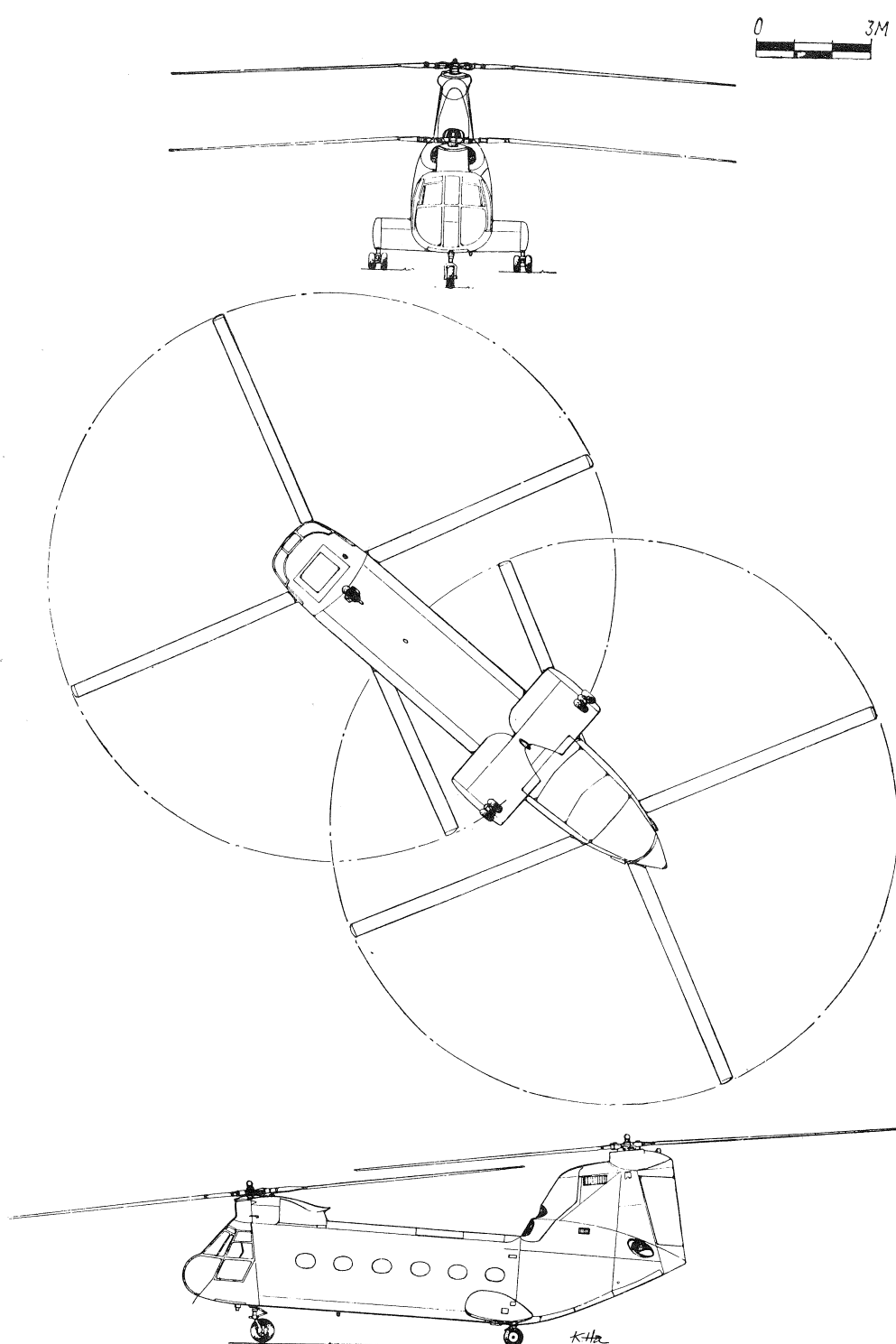


VERTOL 107

rotor diam. 50', length 83'4", (including rotor), height 16'10", gross weight 18,400 lb.;
power plant two G. E. T58-8; cruising speed 137 kts., service ceiling 13,700 ft., range
100 mls.; crew 2, passenger 22~25.



[バートル 107 の 3 面図]