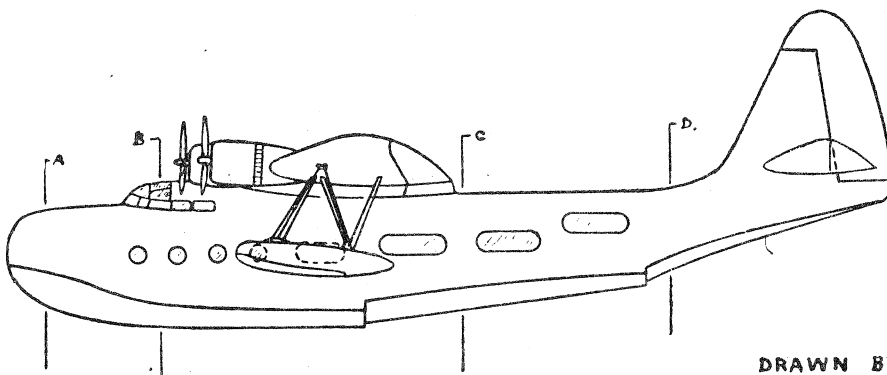
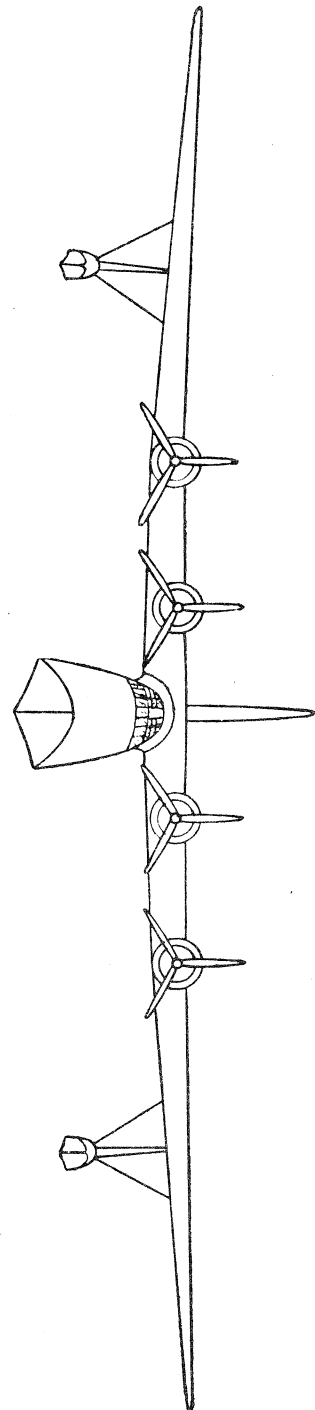
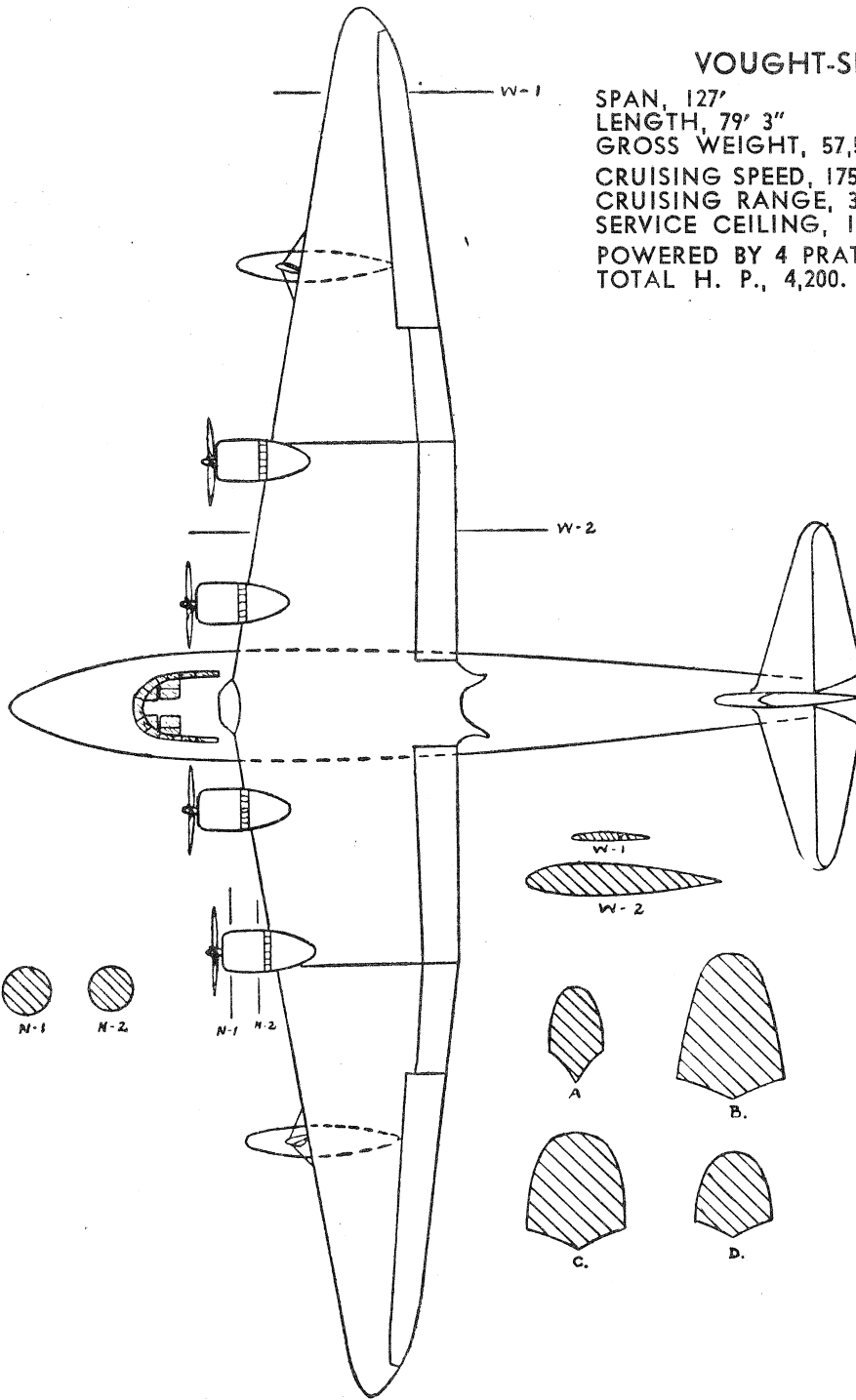


VOUGHT-SIKORSKY EXCALIBUR

SPAN, 127'
LENGTH, 79' 3"
GROSS WEIGHT, 57,500 LBS.
CRUISING SPEED, 175 M. P. H.
CRUISING RANGE, 3,800 MI.
SERVICE CEILING, 17,000 FT.
POWERED BY 4 PRATT & WHITNEY HORNET ENGINES,
TOTAL H. P., 4,200.



FLYING ACES THREE-VIEW ALBUM

DRAWN BY CARL BINDER