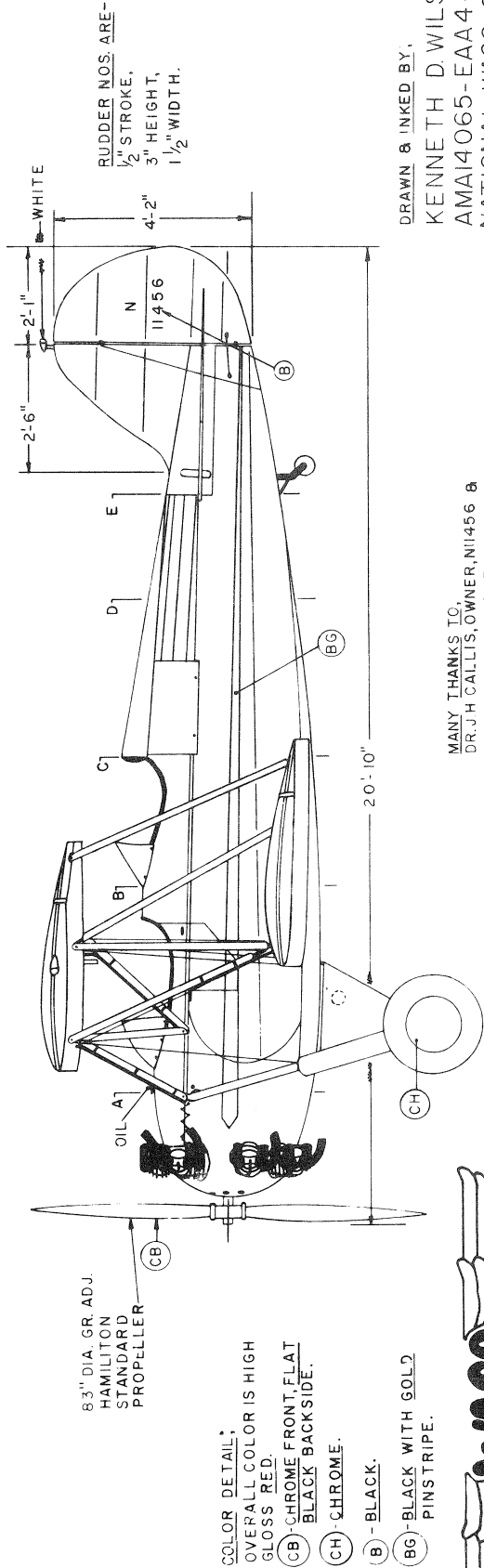
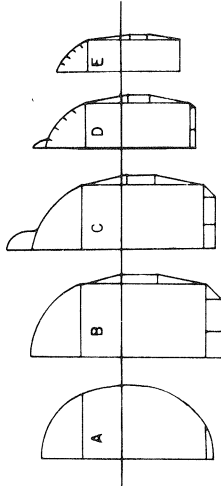


N11456 IS POWERED BY,
 WARNER SUPER SCARAB MODEL 50 SS,
 145 H.P. AT 2050. RATED RPM, S/N SS63EA.
 PRODUCTION CERT. NO. 1.
 TOP SPEED-110 MPH.
 CRUISE-89 MPH.
 LANDING SPEED-32 MPH.
 RATE OF CLIMB-700-800 FPM.
 SER. CEILING-15/16,000 FT.
 CRUISE RANGE-320 MILES.
 FUEL CAP-32 GAL.

DR. JAMES H. CALLIS'
 1931 RNF WACO
 N11456-S/N 3471



83" DIA. GR. ADJ.
 HAMILTON
 STANDARD
 PROPELLER

RUDDER NOS. ARE-
 1/2" STROKE,
 3" HEIGHT,
 1 1/2" WIDTH.

COLOR DETAIL:

OVERALL COLOR IS HIGH

GLOSS RED.

(CB) - CHROME FRONT, FLAT

BLACK BACKSIDE.

(CH) - CHROME.

(B) - BLACK.

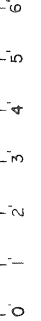
(BG) - BLACK WITH GOLD

PIN STRIPE.



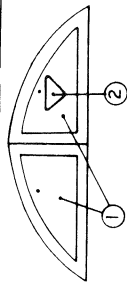
"ASK ANY PILOT"

MANY THANKS TO,
 DR. J. H. CALLIS, OWNER, N11456 &
 MR. WILLIAM GOODE,
 OWNER & OPERATOR OF
 GOODE AIRPARKE.



DRAWN & INKED BY,
 KENNETH D. WILSON
 AMA14065-EAA44170
 NATIONAL WACO CLUB
 DR. NO.-SFMKOW-02-JCW
 PLATE NO. 1 OF 2
 25 JAN 1969

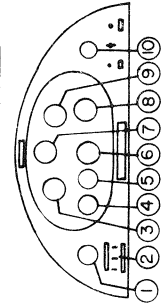
FRONT COCKPIT PANEL.



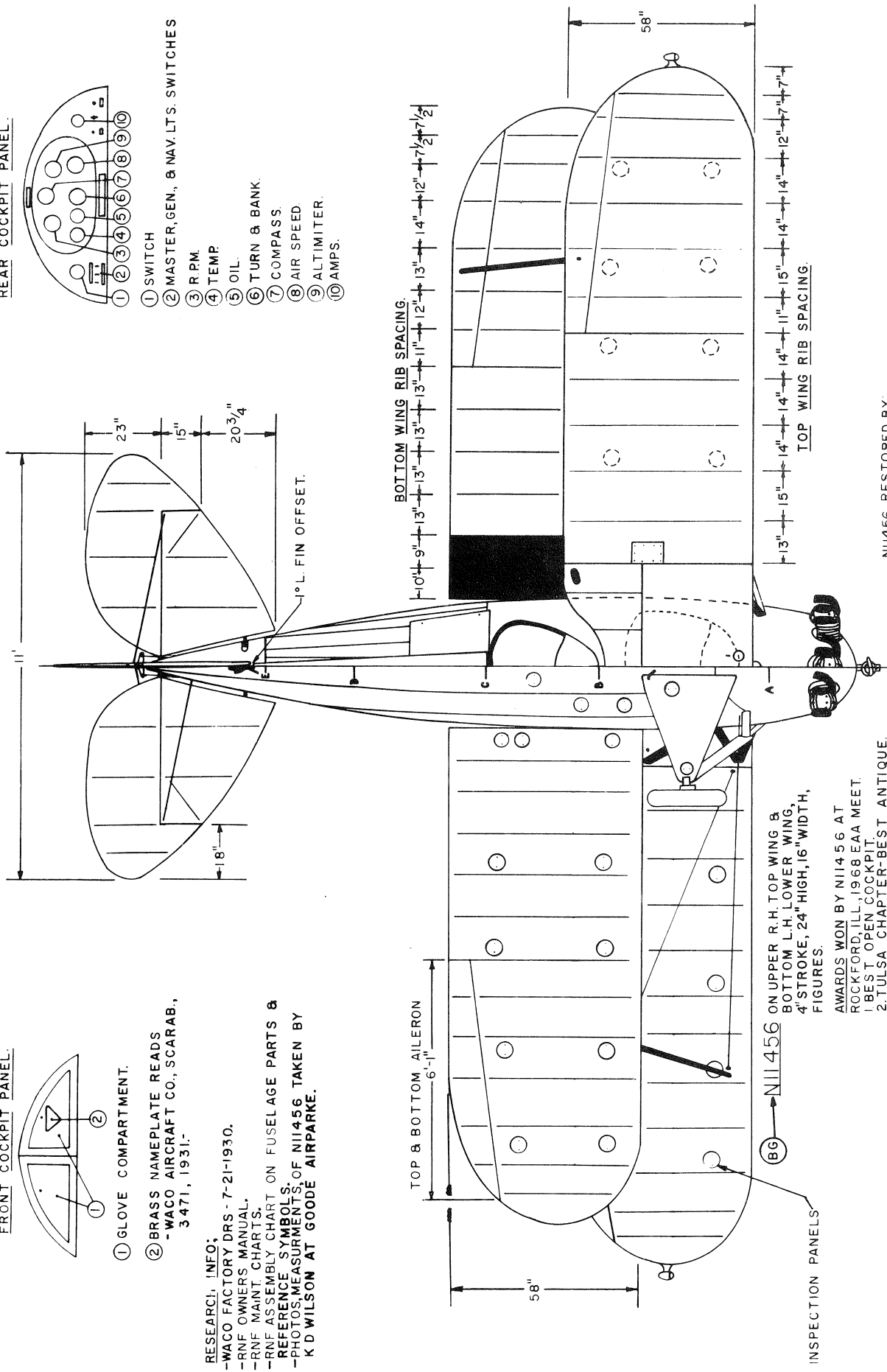
- ① GLOVE COMPARTMENT.
- ② BRASS NAMEPLATE READS
-WACO AIRCRAFT CO., SCARAB.,
3471, 1931.-

RESEARCH INFO;
-WACO FACTORY DRS - 7-21-1930.
-RNF OWNERS MANUAL.
-RNF MAINT. CHARTS.
-RNF ASSEMBLY CHART ON FUSELAGE PARTS &
REFERENCE SYMBOLS.
-PHOTOS, MEASUREMENTS, OF N11456 TAKEN BY
K D WILSON AT GOODE AIRPARKE.

REAR COCKPIT PANEL.



- ① SWITCH
- ② MASTER, GEN., & NAV. LTS. SWITCHES
- ③ R.P.M.
- ④ TEMP.
- ⑤ OIL.
- ⑥ TURN & BANK.
- ⑦ COMPASS.
- ⑧ AIR SPEED.
- ⑨ ALT. LIMITER.
- ⑩ AMPS.



N11456 ON UPPER R.H. TOP WING &
BOTTOM L.H. LOWER WING,
4' STROKE, 24" HIGH, 16" WIDTH,
FIGURES.
AWARDS WON BY N11456 AT
ROCKFORD, ILL., 1968 EAA MEET.
1. BEST OPEN COCKPIT.
2. TULSA CHAMPION-BEST ANTIQUE.
3. GRAND CHAMPION, VINTAGE AIRCRAFT.

N11456 RESTORED BY:
DR. J.H. CALLIS
MR. W. GOODE
MR. G. WHEELER
MR. R. RICHARDSON