

GENERAL SPECIFICATIONS

WEIGHT EMPTY 1870 lbs
 USEFUL LOAD 780 lbs
 GROSS WEIGHT 2650 lbs
 TOP SPEED 138 mph
 CRUISING SPEED 120 mph
 LANDING SPEED 48 mph
 RATE OF CLIMB 1000 ft/min, initial, S.L. 800
 FUEL CAPACITY 50 gallons
 OIL CAPACITY 5 gallons
 CRUISING RANGE 520 miles
 SERVICE CEILING 16,000 feet
 WING AREA 24.4 sq feet
 WING LOADING 11.81 lbs/sq. ft
 POWER LOADING 11.81 lbs/hp

POWER - CONTINENTAL W 670-6A, 220HP
 225 H.P. MAXIMUM AT 2075 RPM
 COMPRESSION RATIO 5.4:1
 210 H.P. AT CRUISE AND ALTITUDE

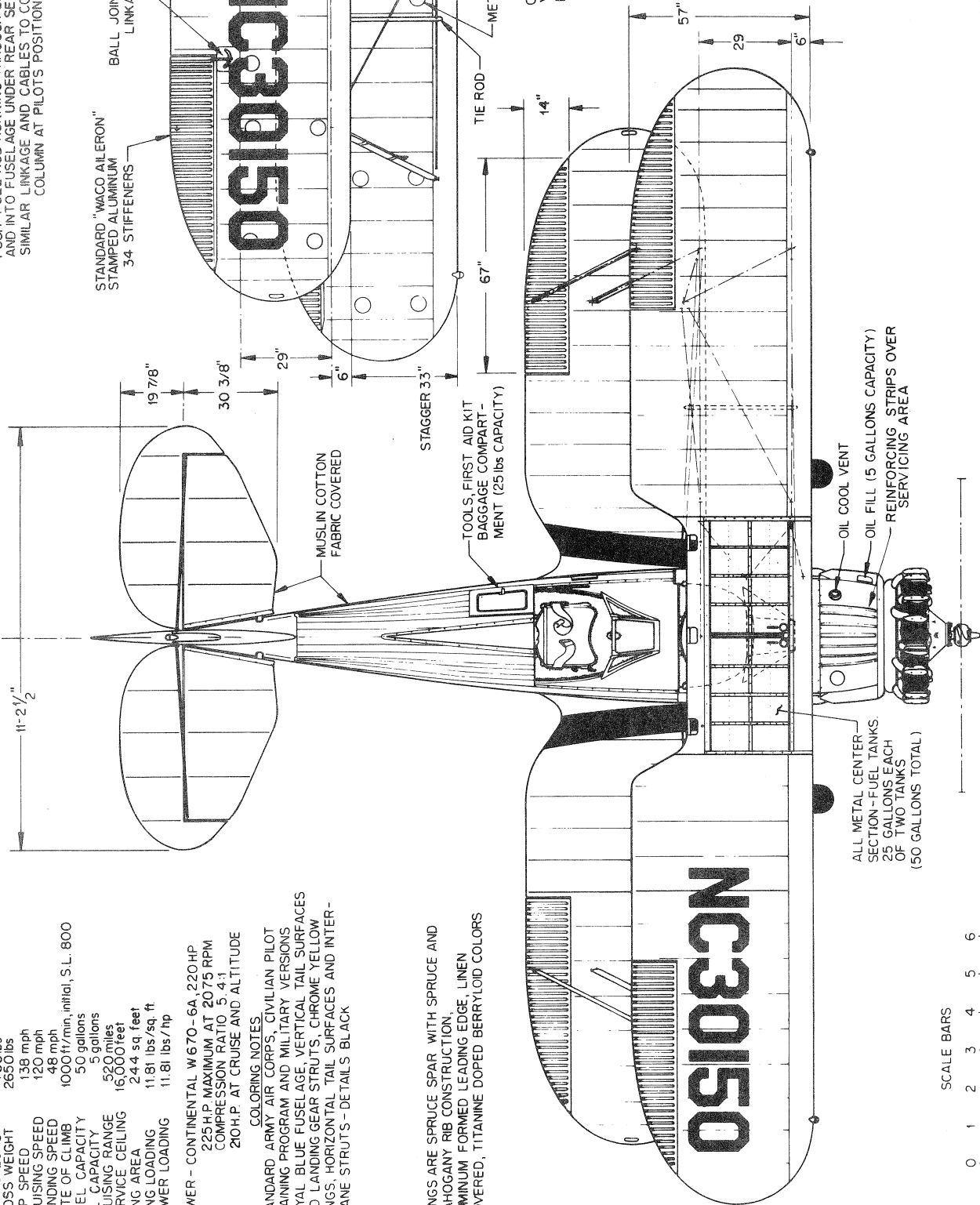
COLORING NOTES
 STANDARD, ARMY AIR CORPS, CIVILIAN PILOT TRAINING PROGRAM AND MILITARY VERSIONS
 ROYAL BLUE FUSELAGE, VERTICAL TAIL SURFACES AND LANDING GEAR STRUTS, CHROME YELLOW WINGS, HORIZONTAL TAIL SURFACES AND INTER-PLANE STRUTS - DETAILS BLACK

WINGS ARE SPRUCE SPAR WITH SPRUCE AND MAHOAGANY RIB CONSTRUCTION,
 ALUMINUM FORMED LEADING EDGE, LINEN COVERED, TITANINE DOPED BERRYLOID COLORS

AILERON CONTROLS - BELL CRANK SYSTEM TO PUSH-PULL ROD RUNNING THROUGH LOWER WING AND INTO FUSELAGE UNDER REAR SEAT, THENCE SIMILAR LINKAGE AND CABLES TO CONTROL COLUMN AT PILOTS POSITIONS

STANDARD "WACO AILERON" STAMPED ALUMINUM 34 STIFFENERS

BALL JOINT ON ALL SOCKET LINKAGE POINTS



KNOWN REGISTRATION NUMBERS FOR STOCK UPF-7 AIRCRAFT

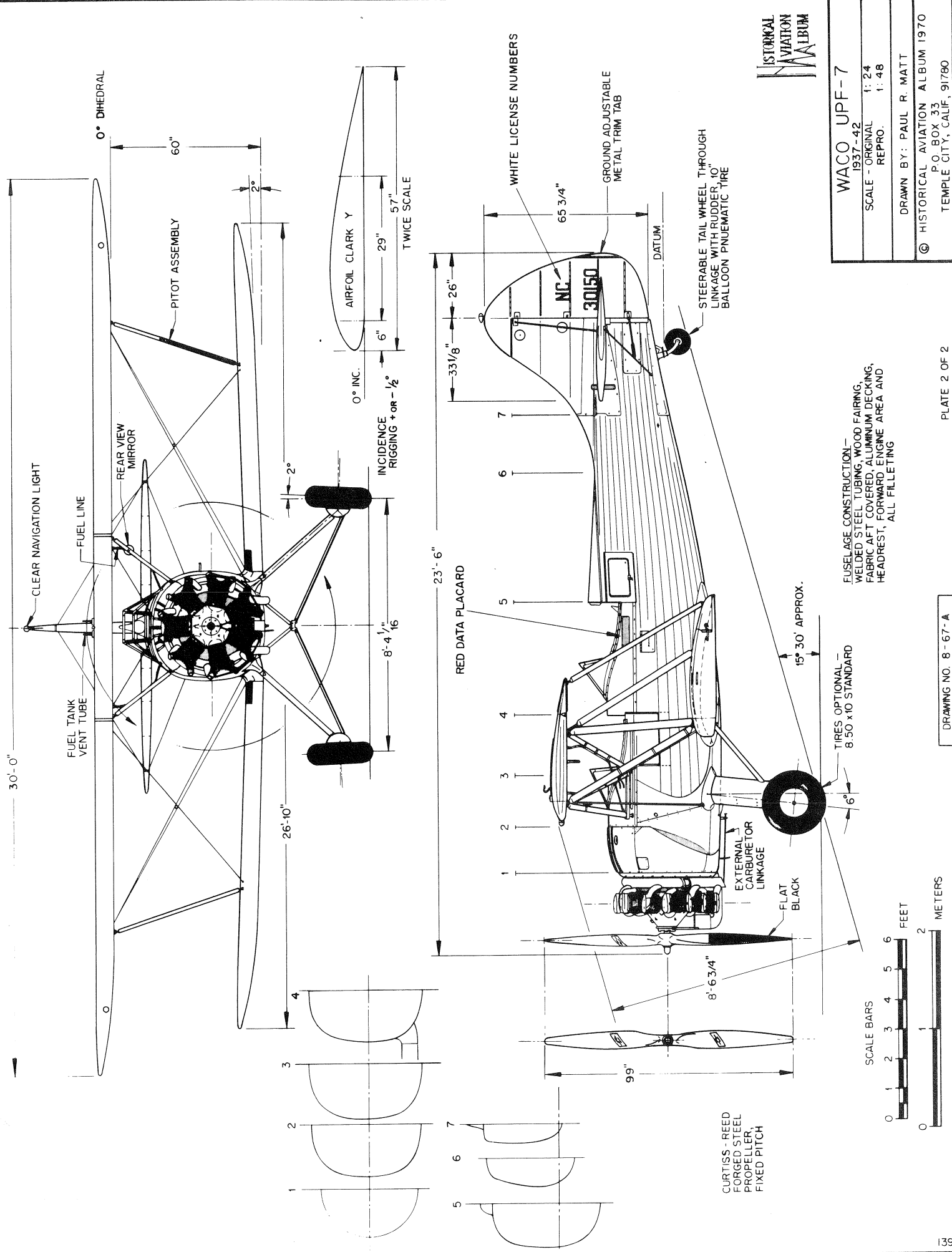
29308 thru 29363	- 55
29906 "	30179 - 273
32014 "	32195 - 181
TOTAL	509



WACO UPF-7
 1937-42
 SCALE - ORIGINAL 1:24
 REPRO 1:48

DRAWN BY: PAUL R. MATT
 © HISTORICAL AVIATION ALBUM 1970
 P O BOX 33
 TEMPLE CITY, CALIF. 91780





WACO UPF-7	
1937-42	
SCALE - ORIGINAL	1: 24
REPRO.	1: 48
DRAWN BY: PAUL R. MATT	
© HISTORICAL AVIATION ALBUM 1970	
P.O. BOX 33	
TEMPLE CITY, CALIF. 91780	

FUSELAGE CONSTRUCTION -
 WELDED STEEL TUBING, WOOD FAIRING,
 FABRIC AFT COVERED, ALUMINUM DECKING,
 HEADREST, FORWARD ENGINE AREA AND
 ALL FILLETING