

WATERMAN "GOSLING" RACER
(1921)

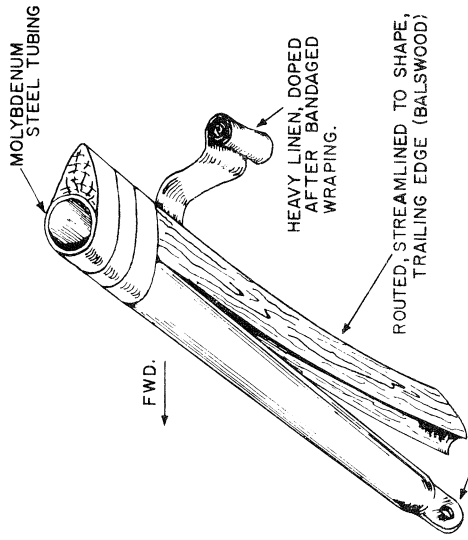
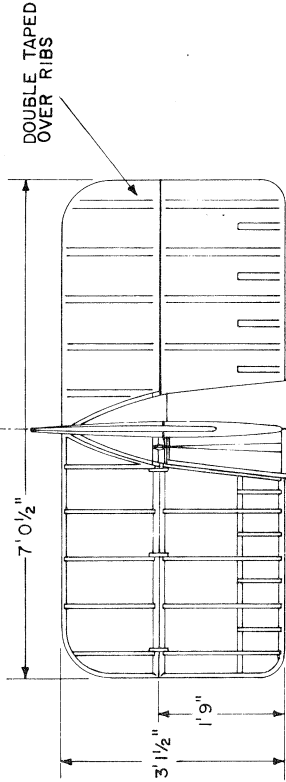
SCALE: 1:32
DRAWN BY: PAUL R. MATT © 1965

40 SPOKE
 26 x 3" TIRE
 NO SHOCK ABSORBING
 SYSTEM USED ON MAIN
 LANDING GEAR

GENERAL SPECIFICATIONS

WEIGHT EMPTY	885 lbs.
USEFUL LOAD	245 "
GROSS WEIGHT	1130 "
FUEL CAPACITY	10 gals.
OIL CAPACITY	3 "
SPEED, MAX.	136 mph
LANDING SPEED	60 "
CRUISING SPEED	110 "
WING AREA	112 sq. ft.
WING LOADING	11.1 lbs./sq.ft.
POWER LOADING	12.5 lbs./H.P.
RANGE AT CRUISING	135 miles

COLORING:
 FUSELAGE & ALL STRUTS - GLOSS BLACK
 WING & TAIL SURFACES - CRIMSON RED
 NO LICENSE OR LETTERING EMPLOYED



SWAGED END FOR BOLT FASTENING TO "U" METAL FITTING. OPPOSITE END HAS SIMILAR TREATMENT FOR FITTING.

TREATMENT OF ALL EXPOSED STRUTS (THIS IS A TYPICAL METHOD EMPLOYED ON MANY AIRCRAFT THROUGHOUT HISTORY)

