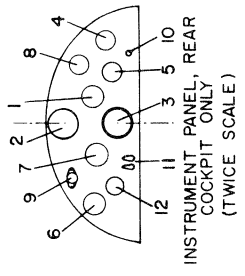
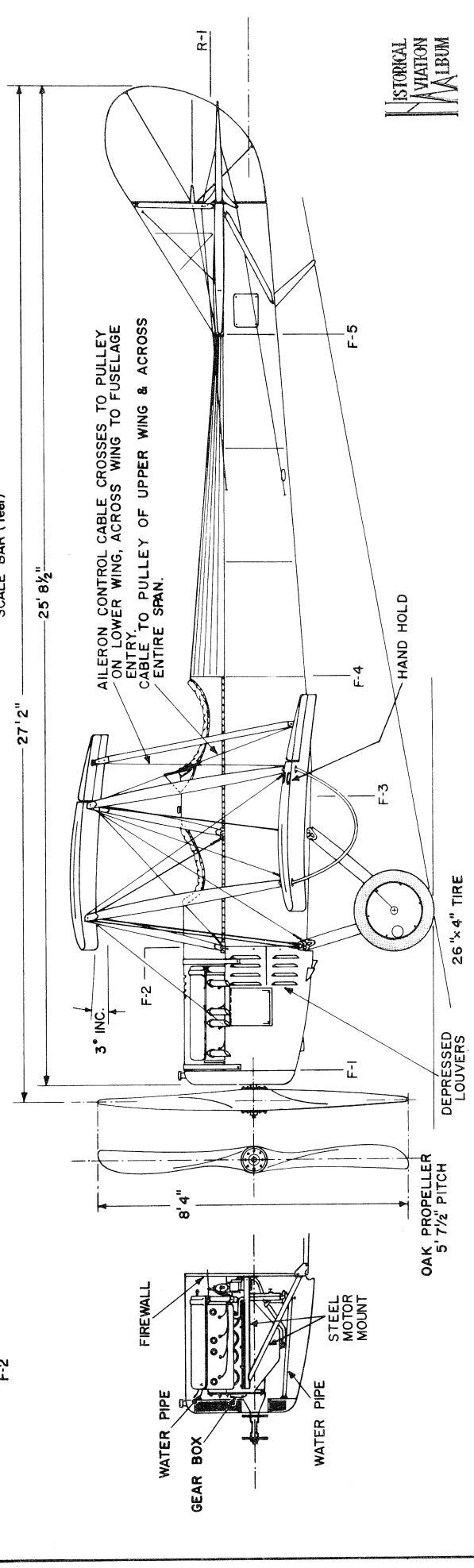
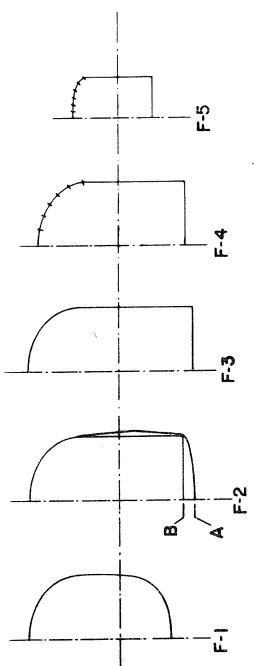


1. ALTIMETER
2. SLIP INDICATOR (R.P.M.) PROP.
3. AIR SPEED
4. CLOCK
5. OIL PRESSURE (FUEL GAUGE)
6. AIR PRESSURE (R.P.M.) ENGINE
7. TACHOMETER (WATER)
8. THERMOMETER (FUEL)
9. SHUT OFF VALVE (FUEL)
10. HAND AIR PUMP (FUEL)
11. IGNITION SWITCHES
12. BLANK AREA (OIL TEMP.)



INSTRUMENT PANEL, REAR
COCKPIT ONLY
(TWICE SCALE)



ENTIRE AIRCRAFT - CLEAR DOPED
ALUMINUM AREAS - NATURAL

WRIGHT - MARTIN MODEL V
(1916)

SCALE: 1:48
DRAWN BY: PAUL R. MATT © 1965