

ZENITRAM ZS SYSTEMS

DoumbekFX DSP

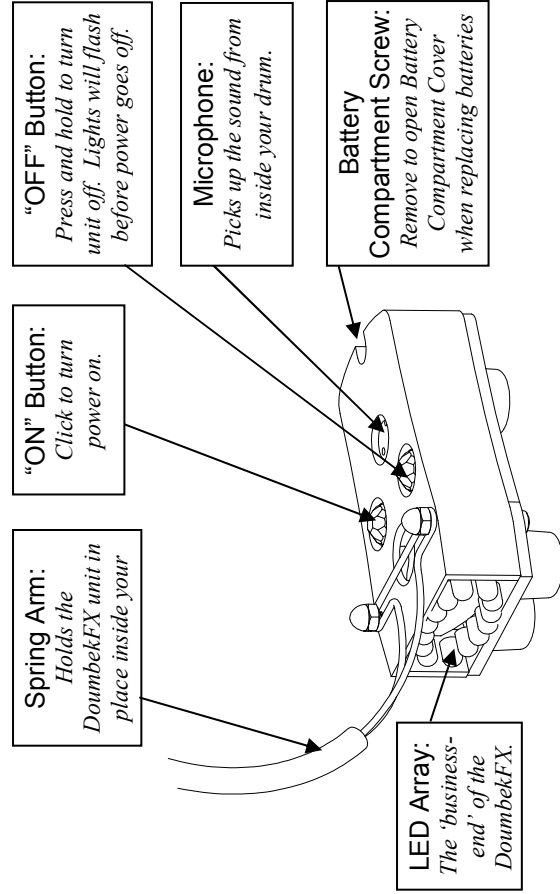
USER'S GUIDE

Congratulations! You now have in your possession the world's only instant light show for your doumbek (or other hand-drum)! The DoumbekFX/DSP is the fourth-generation of the DoumbekFX device – it's the smallest and has the most powerful light output of any DoumbekFX version!

This sheet will describe the parts of the device, how to put it in your drum, and how to change the batteries.

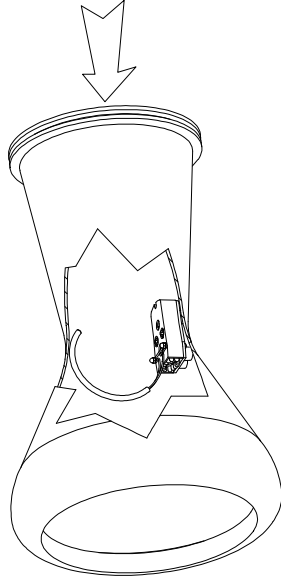
THE DoumbekFX/DSP UNIT:

To get familiar with it, just take a look at the picture here, which shows the main parts of the DoumbekFX/DSP unit...



POSITIONING DoumbekFX/DSP INSIDE YOUR DRUM:

The DoumbekFX/DSP is designed to mount in the narrow 'neck' of your drum. To install it, simply shove it into the open bottom end of your drum, and let the Spring Arm press against the inside of the drum to keep it in place. The picture below shows a cut-away view of a common doumbek drum with the DoumbekFX/DSP unit installed inside...

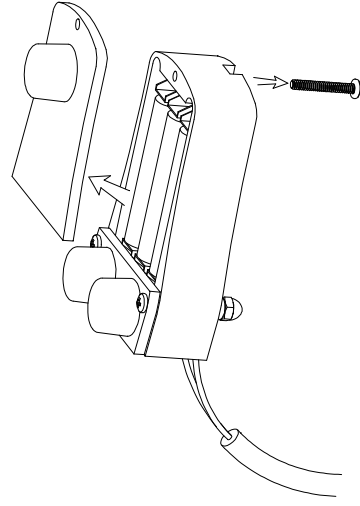


You can adjust the position of the device for the best spread of light from the LED array on the inside of the drum head. The UltraBright LEDs give a dazzling display in drums with any type of head, clear, white, colored, or natural skin.

CHANGING THE BATTERIES

The DoumbekFX/DSP uses three (3) AAA batteries. It is recommended that only standard alkaline batteries be used.

To remove the cover, use a small Phillips screwdriver to remove the black screw, whose head appears at the top (wood) side of the unit. Lift the battery cover off.



When replacing batteries, please observe their proper orientation as indicated in the label inside the unit!

CONTACT

For questions, problems, or more information, please contact Zenitram Systems at doumbekfx@gmail.com, or call (805) 272-5878.

The DoumbekFX name, the Zenitram Systems Logo, and the DoumbekFX design and software are © 2001-2010, Rod Martinez. All rights reserved.